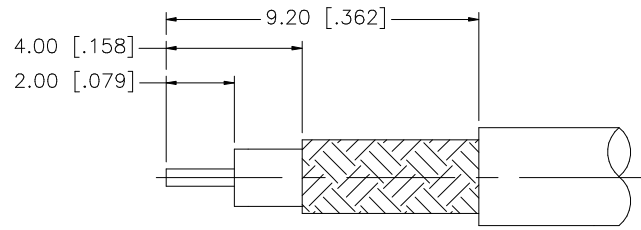
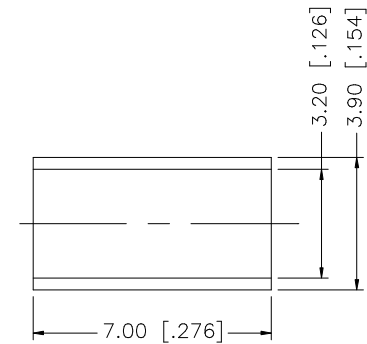
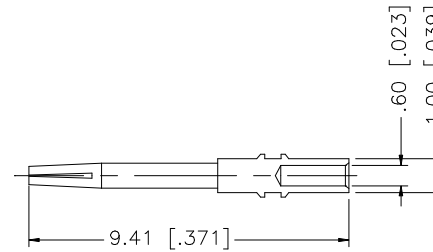
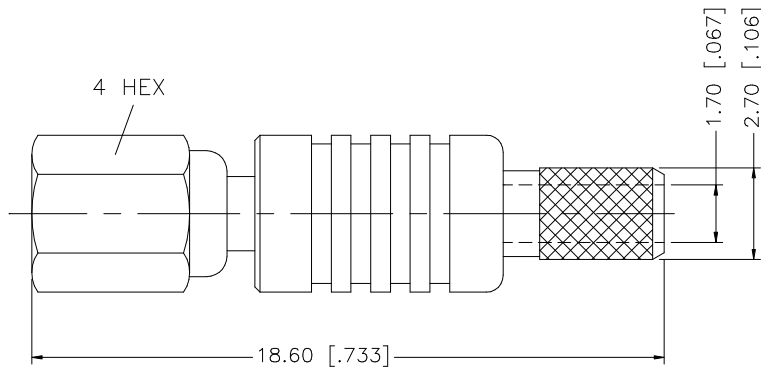


REV.	DATE	DESCRIPTION
NC	01/29/07	INITIAL RELEASE



RECOMMENDED
CABLE STRIPPING DIM'S



NOTE:

1. CRIMPED FERRULE HEX CRIMP SIZE .128"
2. CONTACT PIN TO SOLDER

8				<p>UNLESS OTHERWISE SPECIFIED DIMENSIONS ARE IN MILLIMETERS. DIMENSIONS IN [] ARE IN INCHES AND FOR CUSTOMER REFERENCE ONLY.</p> <p>UNLESS OTHERWISE SPECIFIED TOLERANCES FOR MILLIMETERS ARE: 0.5 - 8mm ± 0.20mm 8 - 30mm ± 0.40mm 30 - 120mm ± 0.50mm</p> <p>UNLESS OTHERWISE SPECIFIED TOLERANCES FOR INCHES ARE: .020 - .315 = ± 0.007" .315 - 1.180 = ± 0.015" 1.180 - 4.724 = ± 0.020"</p> <p>DO NOT SCALE DRAWING</p>	APPROVALS	DATE	<h1 style="color: blue;">Amphenol Connex</h1>					
7					DRAWN	G.R.S.		01/29/07	PART DESCRIPTION SSMC CRIMP PLUG (FOR RG-174/U, 188A/U, 316/U)			
6					CHECKED							
5					ISSUED							
4					SHEET	1 OF 1		PART NO.				
3	CONTACT PIN	BER. COPPER	GOLD		1			153100				
2	INSULATOR	TEFLON	NATURAL		1			DWG. NO.				
1	BODY	BRASS	GOLD		1			153100.DWG				
	DESCRIPTION	MATERIAL	FINISH	QTY			REV.	NC	SIZE	A	SCALE	NA

Mouser Electronics

Authorized Distributor

Click to View Pricing, Inventory, Delivery & Lifecycle Information:

[Amphenol:](#)

[153100](#)